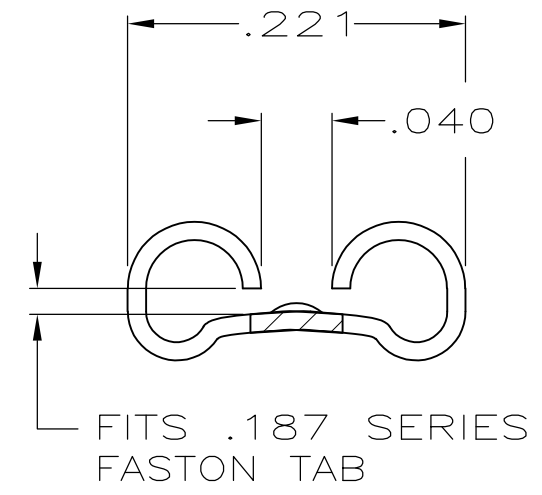
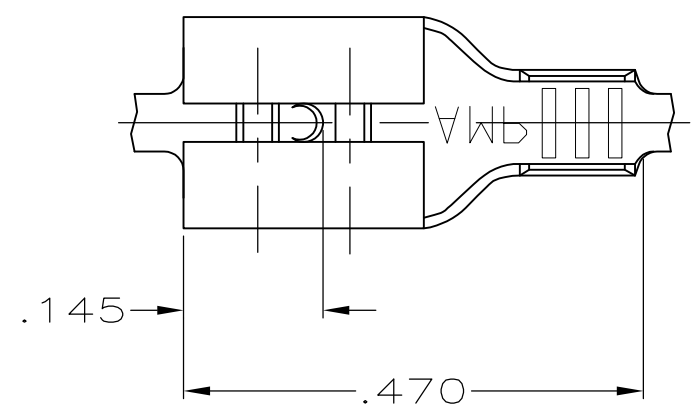


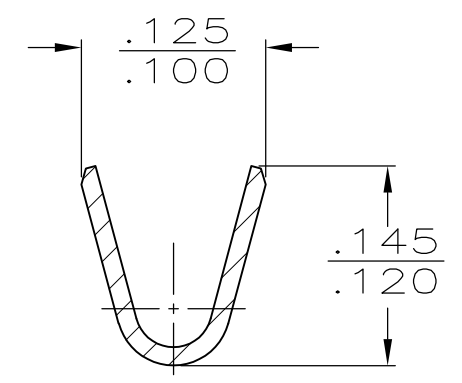
THIS DRAWING IS UNPUBLISHED. RELEASED FOR PUBLICATION
 © COPYRIGHT - By - ALL RIGHTS RESERVED.

LOC	DIST	REVISIONS					
AF	50	P	LTR	DESCRIPTION	DATE	DWN	APVD
		L		REVISED PER ECR-12-013445	09NOV12	KH	PD

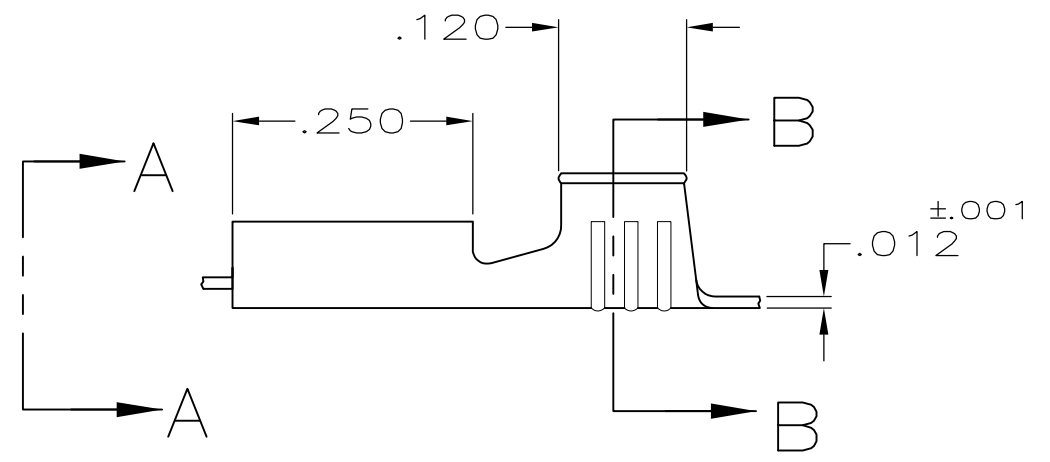
1 CONTINUOUS STRIP ON REELS



VIEW A-A
SCALE 8:1



SECTION B-B
SCALE 8:1



OBSOLETE

NICKEL	#2H STEEL	20-16	.020	42373-3
TIN	BRASS	20-16	.020	42373-2
-	#4H BRASS	20-16	.020	42373-1
FINISH	MATERIAL	WIRE SIZE	MATING TAB THK ±.001	PART NUMBER

.188	F	.090	.060	16
			.053	18
			.049	20
STRIP LENGTH ±.015	TYPE	WIDTH	±.002 HEIGHT	WIRE
	WIRE BARREL CRIMP			

THIS DRAWING IS A CONTROLLED DOCUMENT.

DIMENSIONS: INCHES

TOLERANCES UNLESS OTHERWISE SPECIFIED:

0 PLC ± -
 1 PLC ± -
 2 PLC ± -
 3 PLC ± .015
 4 PLC ± -
 ANGLES ± -

MATERIAL: SEE TABLE
 FINISH: SEE TABLE

DWN JR RUTH 7/14/89
 CHK MS FEHER 7/14/89
 APVD C MEYERS 7/14/89
 PRODUCT SPEC
 APPLICATION SPEC
 WEIGHT -

STE TE Connectivity

RECEPTACLE, FASTON™, .187 SERIES

SIZE: A3 CAGE CODE: 00779 DRAWING NO: C-42373 RESTRICTED TO: -

CUSTOMER DRAWING SCALE: 5:1 SHEET: 1 OF 1 REV: L